



MOREDAY



MORE THEN SOLAR

MINDIAN ELECTRIC CO., LTD.

Add: Malujiao Industrial Zone, North Baixiang town, Yueqing, Zhejiang, China.

Sales call: 0577-62860666 0577-62860667

Http: www.moredaysolar.com

E-mail: info@moredaysolar.com

MDYB220222

WWW.MOREDAYSOLAR.COM

MOREDAY

MOREDAY



Company renderings, subject to actual conditions

COMPANY PROFILE

Founded in 2009, Moreday Solar is a R&D and manufacturing company integrating photovoltaics and new energy industry. The original intention of Moreday Solar is to bring more clean energy to the world and enjoy a better life.

The company's main products: photovoltaic convergence and grid-connected products, low-voltage electrical, energy storage and application products, solar power transmission and distribution products and solar system manufacturing.

The company takes solar energy sharing as its vision, technological innovation as its driving force, customer-oriented, and has obtained more than 30 national patents. Its products have passed CQC, CE, CB, TUV, ROHS and other certifications, and ISO9001 quality system certification, with more than 1,000 services. Customers, the products are exported to more than 50 countries in Europe, America, Southeast Asia, the Middle East and other regions.

We hope to work with more partners to bring solar energy to every region of the world, promote the widespread use of green and clean energy, and leave more day for the earth



President's thoughts

As we look back on 2020, I am proud of how we adapted to the challenges that came our way. We took care of our employees, provided for our customers and partners, and prospered along the way.

We are optimistic about our resilience, flexibility, and solid business processes, reflecting the best in sustainability.

Sustainability is at our core at MOREDAY and our purpose remains to advance a sustainable future for all. As part of our commitment, we released our Reports on the development of the photovoltaic field in the next five years and better sustainable approaches. As we work towards an equitable energy future for all, we are aware of the importance of mobilizing the world to reduce the carbon footprint and electrify the planet.

We will continue to work hard to deliver high quality products that produce clean energy, save our customers money, and provide them with complete energy independence. Looking forward in 2021, we are excited about the strength in worldwide demand for solar, the ramp of our solar systems and upcoming new products, the higher levels of customer service, and our ongoing digital transformation efforts.

As always, I thank our employees, customers, partners, and shareholders for their continued support.

we will continue with our mission to deliver technology solutions that make clean energy affordable, reliable and accessible to all.

To be continued, More than solar



Dedao Huang
President and CEO

Oct.20, 2021

Corporate Advantage



Enterprise honor and qualification



PATENT FOR INVENTION



UTILITY MODEL PATENT CERTIFICATE



DESIGN PATENT CERTIFICATE



TECHNOLOGY-BASED ENTERPRISE



ISO14001



ISO9001



ISO45001



CE



CQC

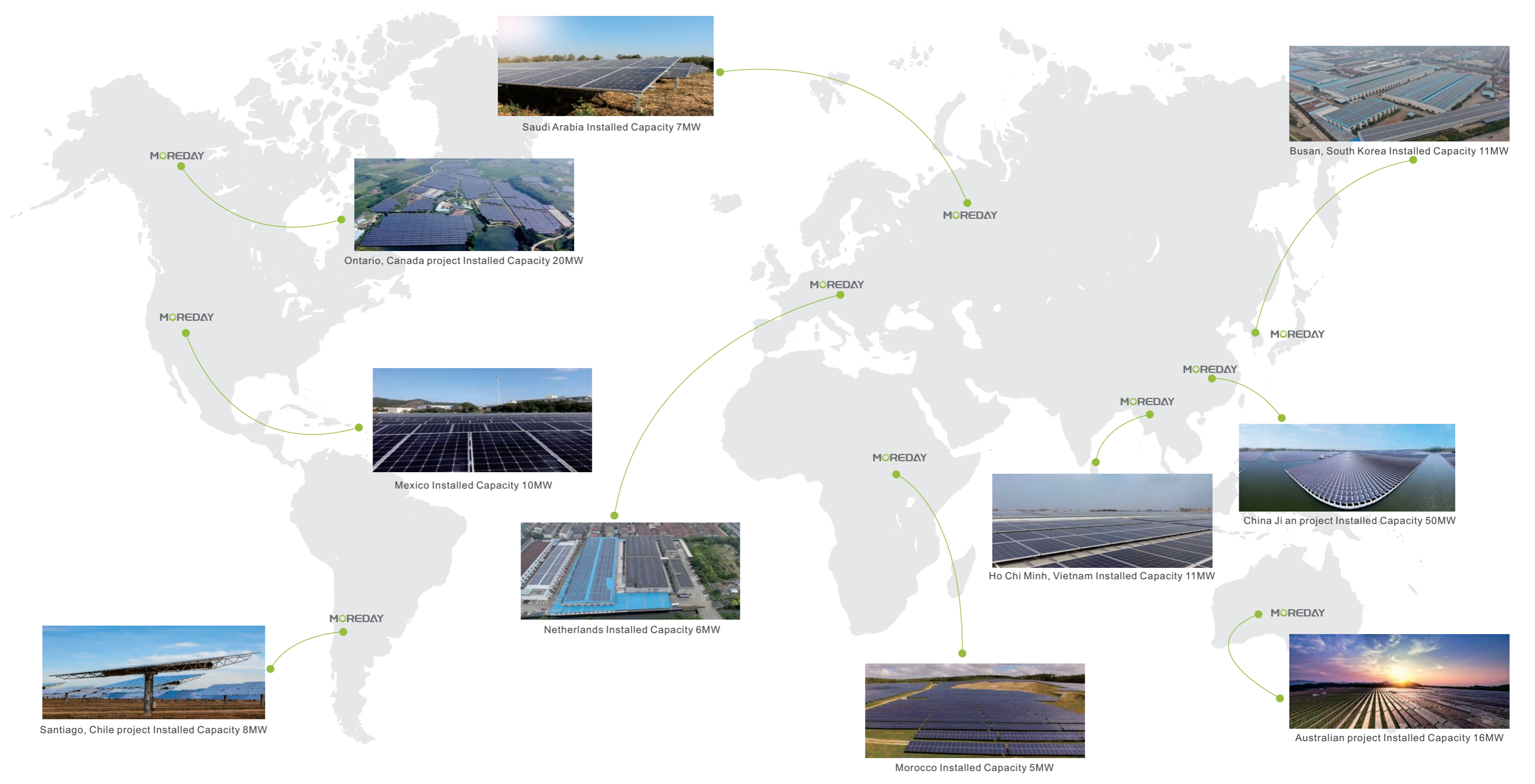
- Member of Asian Photovoltaic Industry Association
- National high-tech enterprise
- Well-known brands in China's photovoltaic industry in 2019
- Caring for employees and caring enterprises in 2020

- 2019、2020 SNEC Megawatt jade Award
- 2020 Outstanding Photovoltaic Enterprise
- Chinese technology-based SMEs
- Zhejiang Promise-keeping 3A Enterprise

MOREDAY

Corporate partner





50+ Exporting Countries
 5GW+ Cumulative shipments
 30+ Patents
 12yrs Industry experience
 1000+ Global customers



► Overview

Suitable for industrial, commercial, high-rise and civil residences circuit protection.

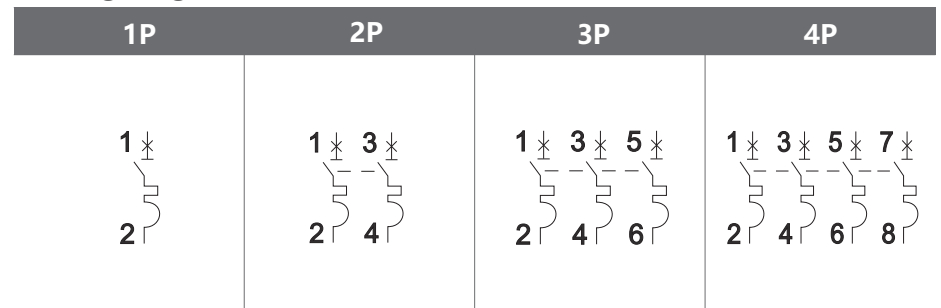
Features

- Up to 63A current rating
- Current limiting design
- Three levels of short-circuit protection ,categorized by B、 C and D curves.
- Captive screws cannot be lost
- Contact position indicator(red/green)
- Easy installation on DIN rail

► Technical Specification

Specifications	
Rated voltage(v)	230/400V(1P)、 400V(2P、 3P、 4P)
Rated current(A)	6、 10、 16、 20、 25、 32、 40、 50、 63
Poles	1P、 2P、 3P、 4P
Rated breaking capacity(A)	4500
Tripping characteristics	Table 1
Mechanical & Electrical life	4000
Tripping characteristics	B、 C、 D
Tightening torque (N·m)	2.5
Pollution Degree	2
Protection class	Ip20
Overvoltage category	II
Standards	IEC60898 -1、 GB/T10963 . 1
Compliant certification	CCC

► Wiring Diagram

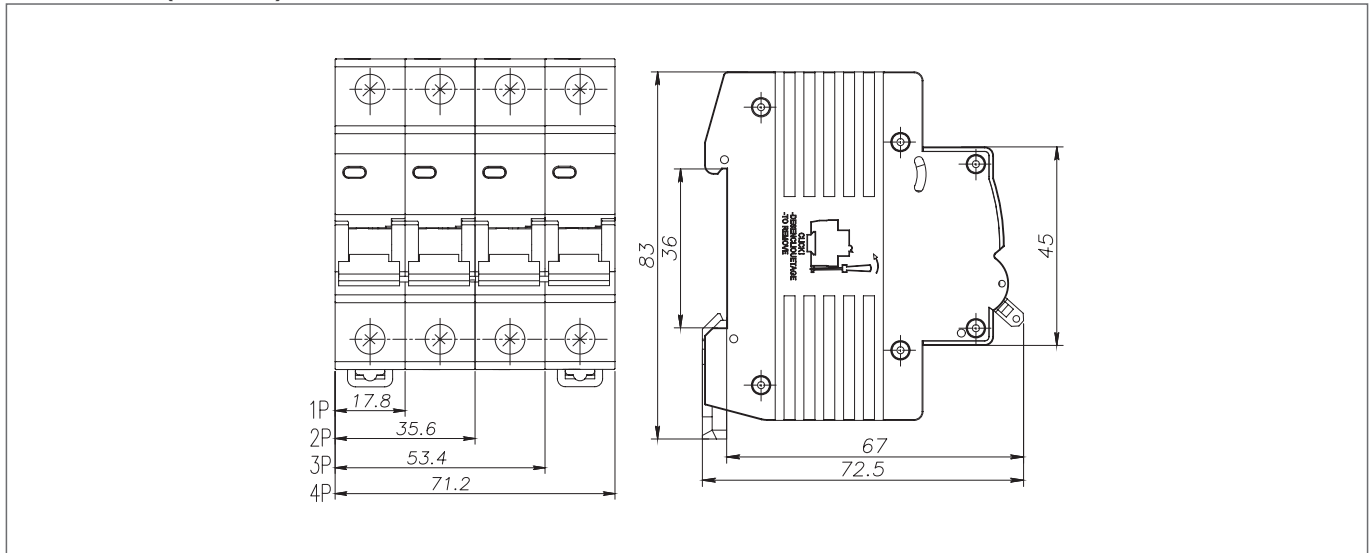


► **Table 1: Tripping characteristics (Reference temp.30°C)**

Item	Rated current(A)	Initial status	Test current In(A)	Time limit for tripping or non-tripping	Expected result	Remarks
Delay	≤63	Cold	1.13In	≤1h	Non-tripping	
Delay	≤63	Following previous test	1.45In	< 1h	Tripping	Current smoothly rises to specified value within 5s
Delay	≤32	Cold	2.55In	1<t<60s	Tripping	
Delay	>32	Cold	2.55In	1<t<120s	Tripping	
Instantaneous	Any value	Cold	3、 5、 10In	≤0.1s	Non-tripping	B、 C、 D
Instantaneous	Any value	Cold	5、 10、 20In	<0.1s	Tripping	B、 C、 D

Note: The term "cold" means that the test is carried out at a reference calibration temperature without load before the test.

► **Dimensions(unit:mm)**





► **Overview**

Suitable for industrial, commercial, high-rise and civil residences circuit protection.

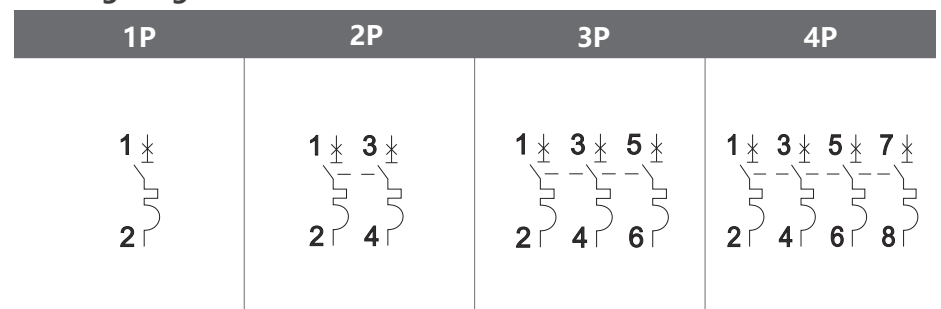
Features

- Up to 63A current rating
- Current limiting design
- Three levels of short-circuit protection ,categorized by B、 C and D curves.
- Captive screws cannot be lost
- Contact position indicator(red/green)
- Easy installation on DIN rail

► **Technical Specification**

Specifications	
Rated voltage(v)	230V(1P)、 400V(2~4P)
Rated current(A)	63A、 80A、 100A
Poles	1P、 2P、 3P、 4P
Rated breaking capacity Icn(A)	Icu=Ics=6000A
Rated impulse withstand voltage Uimp(V)	6000V
Tripping characteristics	Table 1
Mechanical & Electrical life	8500&1500(Operating frequency: 120 /h)
Pollution Degree	2
Tightening torque(N•m)	2.5
Protection class	IP20
Overvoltage category	II&III
Standards	IEC 60947-2 、 GB/T14048.2
Compliant certification	CCC

► **Wiring Diagram**



► **Table 1: Tripping characteristics (Reference temp.30°C)**

Item	Test current $I_n(A)$	Initial status	Time limit for tripping or non-tripping	Expected result	Remarks
a	$1.05I_n$	Cold	$t \leq 1h$ ($I_n \leq 63A$) $t \leq 2h$ ($I_n \geq 63A$)	Non-tripping	
b	$1.3I_n$	Following Item a test	$t < 1h$ ($I_n \leq 63A$) $t < 2h$ ($I_n \geq 63A$)	Tripping	Current smoothly rises to specified value within 5s
c	$2I_n$	Cold	$0 < t < 300s$	Tripping	
d	$8I_n$	Cold	$t \leq 0.2s$	Non-tripping	
e	$12I_n$	Cold	$t < 0.2s$	Tripping	

Note: The term "cold" means that the test is carried out at a reference calibration temperature without load before the test.

► **Dimensions(unit:mm)**

