



MOREDAY



MORE THEN SOLAR

MINDIAN ELECTRIC CO., LTD.

Add: Malujiao Industrial Zone, North Baixiang town, Yueqing, Zhejiang, China.

Sales call: 0577-62860666 0577-62860667

Http: www.moredaysolar.com

E-mail: info@moredaysolar.com

MDYB220222

WWW.MOREDAYSOLAR.COM

MOREDAY

MOREDAY



Company renderings, subject to actual conditions

COMPANY PROFILE

Founded in 2009, Moreday Solar is a R&D and manufacturing company integrating photovoltaics and new energy industry. The original intention of Moreday Solar is to bring more clean energy to the world and enjoy a better life.

The company's main products: photovoltaic convergence and grid-connected products, low-voltage electrical, energy storage and application products, solar power transmission and distribution products and solar system manufacturing.

The company takes solar energy sharing as its vision, technological innovation as its driving force, customer-oriented, and has obtained more than 30 national patents. Its products have passed CQC, CE, CB, TUV, ROHS and other certifications, and ISO9001 quality system certification, with more than 1,000 services. Customers, the products are exported to more than 50 countries in Europe, America, Southeast Asia, the Middle East and other regions.

We hope to work with more partners to bring solar energy to every region of the world, promote the widespread use of green and clean energy, and leave more day for the earth



President's thoughts

As we look back on 2020, I am proud of how we adapted to the challenges that came our way. We took care of our employees, provided for our customers and partners, and prospered along the way.

We are optimistic about our resilience, flexibility, and solid business processes, reflecting the best in sustainability.

Sustainability is at our core at MOREDAY and our purpose remains to advance a sustainable future for all. As part of our commitment, we released our Reports on the development of the photovoltaic field in the next five years and better sustainable approaches. As we work towards an equitable energy future for all, we are aware of the importance of mobilizing the world to reduce the carbon footprint and electrify the planet.

We will continue to work hard to deliver high quality products that produce clean energy, save our customers money, and provide them with complete energy independence. Looking forward in 2021, we are excited about the strength in worldwide demand for solar, the ramp of our solar systems and upcoming new products, the higher levels of customer service, and our ongoing digital transformation efforts.

As always, I thank our employees, customers, partners, and shareholders for their continued support.

we will continue with our mission to deliver technology solutions that make clean energy affordable, reliable and accessible to all.

To be continued, More than solar



Dedao Huang
President and CEO

Oct.20, 2021

Corporate Advantage



Enterprise honor and qualification



PATENT FOR INVENTION



UTILITY MODEL PATENT CERTIFICATE



DESIGN PATENT CERTIFICATE



TECHNOLOGY-BASED ENTERPRISE



ISO14001



ISO9001



ISO45001



CE



CQC

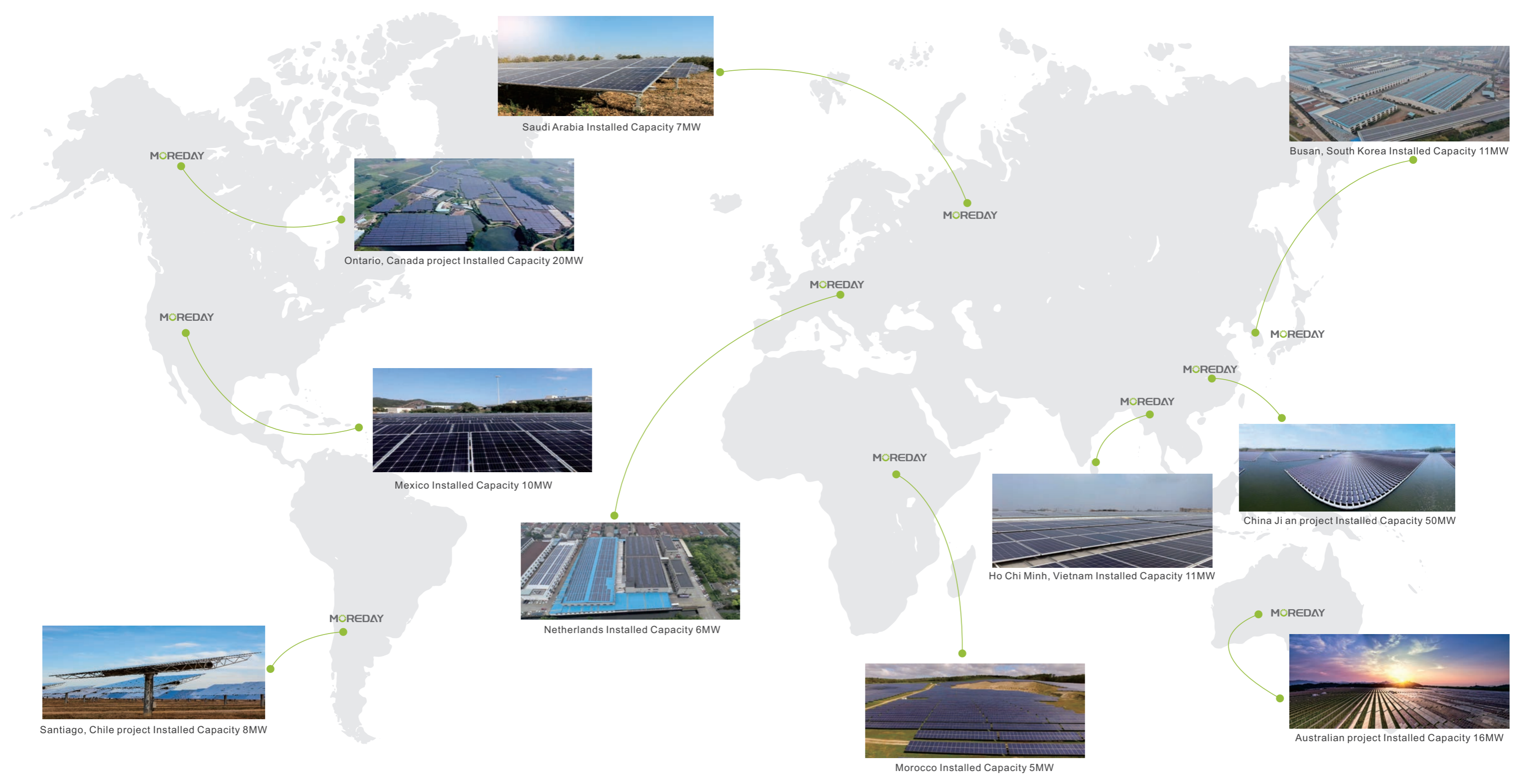
- Member of Asian Photovoltaic Industry Association
- National high-tech enterprise
- Well-known brands in China's photovoltaic industry in 2019
- Caring for employees and caring enterprises in 2020

- 2019、2020 SNEC Megawatt jade Award
- 2020 Outstanding Photovoltaic Enterprise
- Chinese technology-based SMEs
- Zhejiang Promise-keeping 3A Enterprise

MOREDAY

Corporate partner





50+ Exporting Countries
5GW+ Cumulative shipments
30+ Patents
12yrs Industry experience
1000+ Global customers

► Features

- 1.The PV combiner box is suitable for photovoltaic grid-connected and off-grid power generation systems.
- 2.It is configured with photovoltaic dedicated high-voltage lightning arrester, DC fuse and circuit breaker to provide short circuit fault protection and lightning protection.
- 3.It has protect function of over-voltage and over-current so as to avoid damage to photovoltaic panels and inverters when the fault occurs.
- 4.It' s also used to reduce the connection of the photovoltaic array to the inverter,optimize the system structure, improve the reliability and maintainability of the system, make the photovoltaic system at its best.
- 5.IP65 design, waterproof, anti dust and anti ultraviolet.
- 6.Strict test for high and low temperature, used widely.
- 7.The simple installation,the simplified system wiring, the convenient wiring

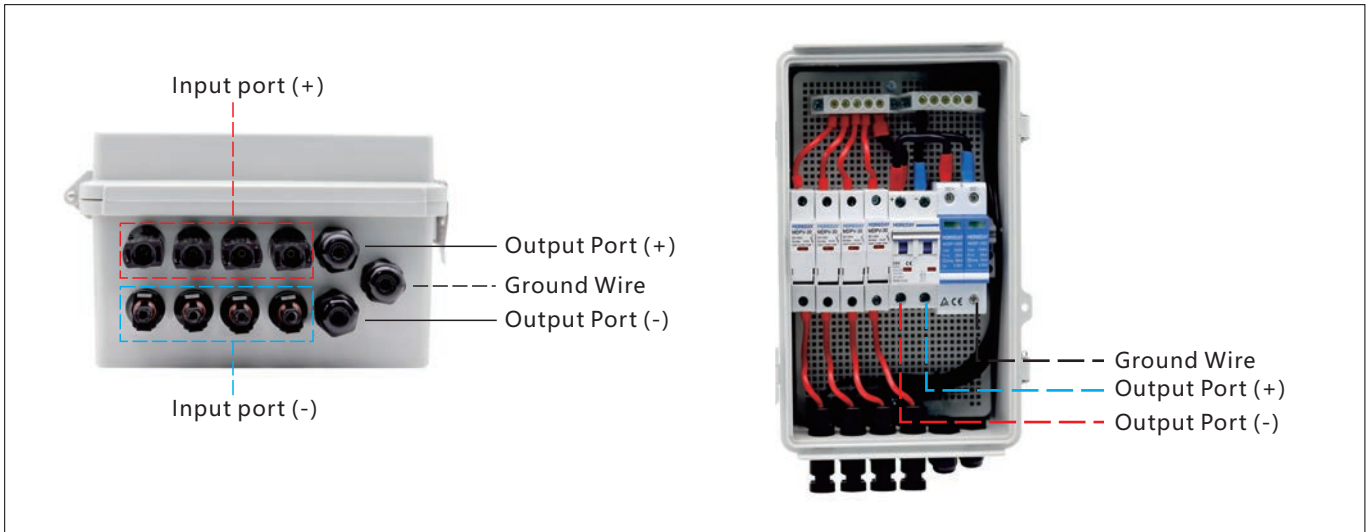


► Technical Specification

DC string box	
Product Name	DC combiner box
Model Code	MDJB-PV4/1
Rated Voltage	500V~600V
Operation	10A
Input	4strings
output	1string
Temperature range	-25°C~+60°C
Enclosure	
IP Protection Class (IEC60529)	IP65
Materials	Polycarbonate / ABS
Spec	UV resistance and Flame retardant
DC Circuit Breaker	
Rated Voltage	500V~600V
Rated Current	63A
DC SPD	
Max Operating Voltage	1000V
Max Discharge Current	40KA
Nominal discharge current	20KA
DC Fuse	
Rated Volitage	1000V
Fuse link	15A 10*38mm ²
Finger safe touch	YES



► Insatallation



► Instruction

1. Box Input: Connect the panel connectors (module output and combiner input), make sure the negative wire of module output connected to the blue area (as the picture instructed); the positive wire of module output connected to the red area (as the picture instructed).
2. Box Output: Connect PV wires to the output terminals of DC circuit breaker (both "+" and "-"; as the picture instructed), connect the ground wire to the ground terminal of DC arrester. All the output wires separately pass through the cable glands, make sure all the cable glands properly tightened.

Notice:

1. All connections must be carried out under the state of power failure.
2. Let the professional electrical engineer carry on connecting line.
3. The flammable and explosive are forbidden in the installing concourse.

► Warranty & Service

Standard Combiner Boxes come with 3 year warranty, except on the consumables such as fuses. If you have any question, just feel free tocontact me.

► Wiring diagram

