



**MOREDAY**



# MORE THEN SOLAR

**MINDIAN ELECTRIC CO., LTD.**

Add: Malujiao Industrial Zone, North Baixiang town, Yueqing, Zhejiang, China.

Sales call: 0577-62860666 0577-62860667

Http: [www.moredaysolar.com](http://www.moredaysolar.com)

E-mail: [info@moredaysolar.com](mailto:info@moredaysolar.com)

MDYB220222

[WWW.MOREDAYSOLAR.COM](http://WWW.MOREDAYSOLAR.COM)

**MOREDAY**



# MOREDAY



Company renderings, subject to actual conditions

## COMPANY PROFILE

Founded in 2009, Moreday Solar is a R&D and manufacturing company integrating photovoltaics and new energy industry. The original intention of Moreday Solar is to bring more clean energy to the world and enjoy a better life.

The company's main products: photovoltaic convergence and grid-connected products, low-voltage electrical, energy storage and application products, solar power transmission and distribution products and solar system manufacturing.

The company takes solar energy sharing as its vision, technological innovation as its driving force, customer-oriented, and has obtained more than 30 national patents. Its products have passed CQC, CE, CB, TUV, ROHS and other certifications, and ISO9001 quality system certification, with more than 1,000 services. Customers, the products are exported to more than 50 countries in Europe, America, Southeast Asia, the Middle East and other regions.

We hope to work with more partners to bring solar energy to every region of the world, promote the widespread use of green and clean energy, and leave more day for the earth





## President's thoughts

As we look back on 2020, I am proud of how we adapted to the challenges that came our way. We took care of our employees, provided for our customers and partners, and prospered along the way.

We are optimistic about our resilience, flexibility, and solid business processes, reflecting the best in sustainability.

Sustainability is at our core at MOREDAY and our purpose remains to advance a sustainable future for all. As part of our commitment, we released our Reports on the development of the photovoltaic field in the next five years and better sustainable approaches. As we work towards an equitable energy future for all, we are aware of the importance of mobilizing the world to reduce the carbon footprint and electrify the planet.

We will continue to work hard to deliver high quality products that produce clean energy, save our customers money, and provide them with complete energy independence. Looking forward in 2021, we are excited about the strength in worldwide demand for solar, the ramp of our solar systems and upcoming new products, the higher levels of customer service, and our ongoing digital transformation efforts.

As always, I thank our employees, customers, partners, and shareholders for their continued support.

we will continue with our mission to deliver technology solutions that make clean energy affordable, reliable and accessible to all.

To be continued, More than solar



**Dedao Huang**  
President and CEO

Oct.20, 2021



# Corporate Advantage





## Enterprise honor and qualification



PATENT FOR INVENTION



UTILITY MODEL PATENT CERTIFICATE



DESIGN PATENT CERTIFICATE



TECHNOLOGY-BASED ENTERPRISE



ISO14001



ISO9001



ISO45001



CE



CQC

- Member of Asian Photovoltaic Industry Association
- National high-tech enterprise
- Well-known brands in China's photovoltaic industry in 2019
- Caring for employees and caring enterprises in 2020

- 2019、2020 SNEC Megawatt jade Award
- 2020 Outstanding Photovoltaic Enterprise
- Chinese technology-based SMEs
- Zhejiang Promise-keeping 3A Enterprise

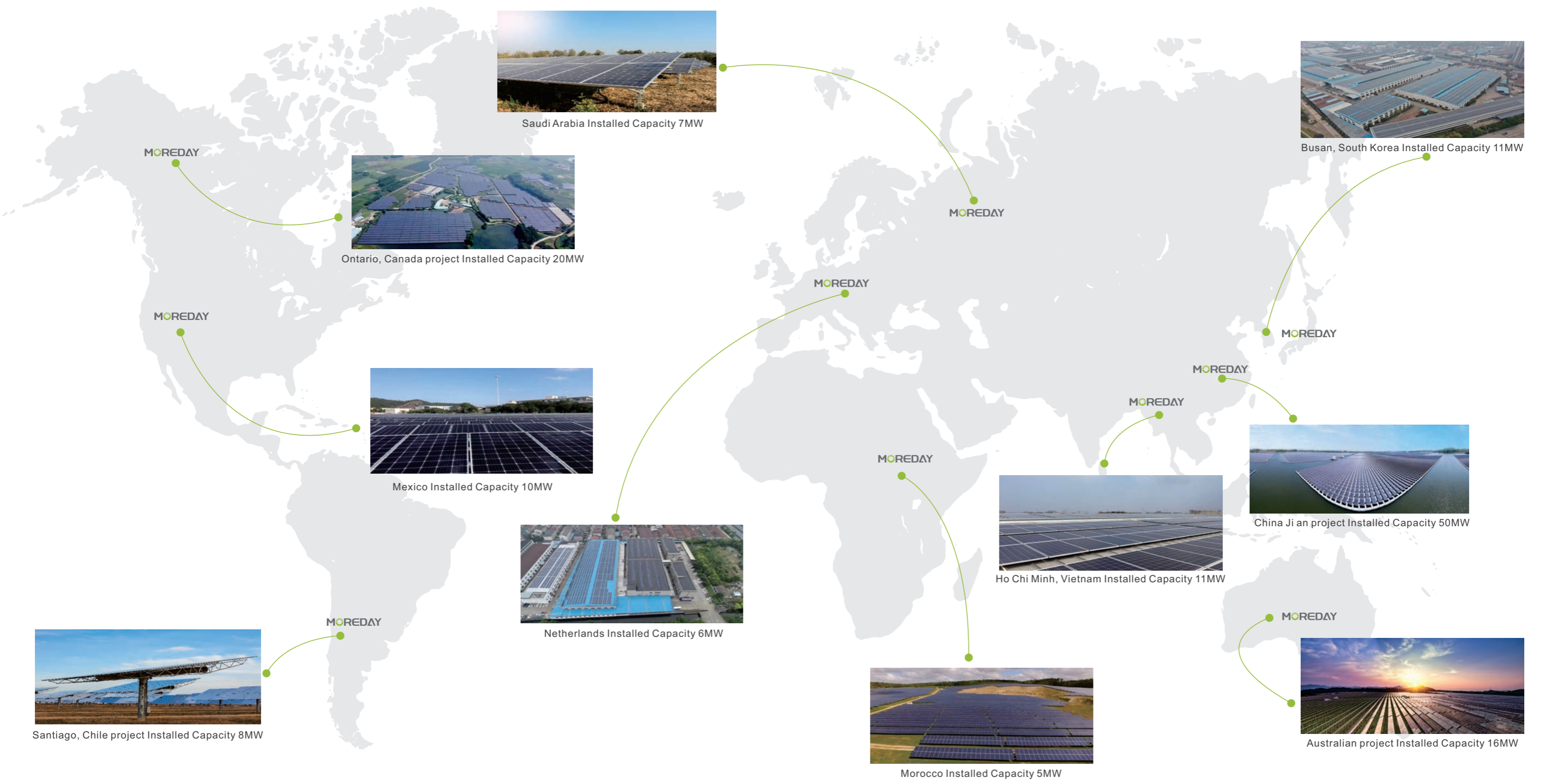


# MOREDAY

Corporate partner







**50+** Exporting Countries

**5GW+** Cumulative shipments

**30+** Patents

**12yrs** Industry experience

**1000+** Global customers



MDJB-A



MDJB-B



► **Overview**

Suitable for PV system, equipped with a surge protector and isolator fuses, providing isolation, leakage and grounding protection.

► **Specification**

Model Number	1/1		2/1		2/2		3/1	
Input	1 string		2 string		2 string		3 string	
Output	1 string		1 string		2 string		1 string	
Max Voltage	600V	1000V	600V	1000V	600V	1000V	600V	1000V
Max Current Input (Eachstring)	30A	30A	30A	30A	30A	30A	30A	30A
Max Current Output (Eachstring)	30A	30A	63A	63A	30A	30A	63A	63A
<b>Enclosure</b>								
Material	PC/ABS							
Degree of Protection	IP65/IP66							
Impacts	Ik10							
Input Cable Glands	PG09, 2.5-16							
Output Cable Gland	PG21, 2.5-16							
<b>Environment</b>								
Operating temperature	-25°C~+60°C							

Model Number	3/3		4/2		6/2		6/3	
Input	3 string		4 string		6 string		6 string	
Output	1 string		2 string		2 string		3 string	
Max Voltage	600V	1000V	600V	1000V	1000V		1000V	
Max Current Input (Eachstring)	30A	30A	30A	30A	20A		30A	
Max Current Output (Eachstring)	30A	30A	63A	63A	63A		63A	
<b>Enclosure</b>								
Material	PC/ABS							
Degree of Protection	IP65/IP66							
Impacts	Ik10							
Input Cable Glands	PG09, 2.5-16							
Output Cable Gland	PG21, 2.5-16							
<b>Environment</b>								
Operating temperature	-25°C~+60°C							

► **Dimensions (unit:mm)**

Distribution box (MDJB-A)	L*W*H
9 Ways	21.5*21*10
12 Ways	30*26*14
18 Ways	41*28.5*14
24 Ways	21.5*11.5*41

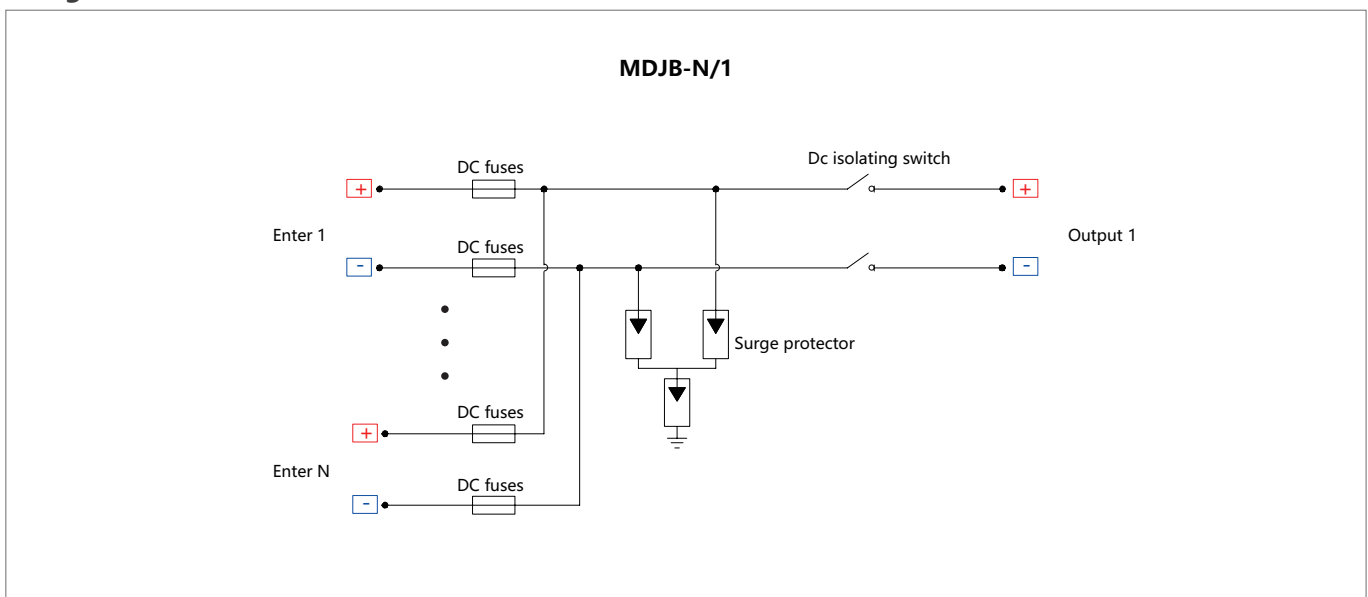
Distribution box (MDJB-B)	L*W*H
4 Ways	10.7*21*9.2
6 Ways	16.5*20*10
9 Ways	22*20*11
12 Ways	27*23*11
18 Ways	37.5*23*11
24 Ways	27*37.5*11
36 Ways	27*53*11



## ► Technical Parameters

Model	MDJB-1/1	MDJB-2/1	MDJB-3/1	MDJB-4/1	MDJB-6/1
<b>DC surge protection</b>					
Maximum working voltage	1000 V				
Maximum discharge current	40 kA				
Executive Standard	EN 50539-11 Type 2				
Certification	CE, TUV				
<b>DC isolated switch/DC MCB</b>					
Rated insulation pad	1000V				
Rated current	32A	32A	32A	63A	63A/80A
Classification	DC-PV1/DC-PV2				
Executive Standard	IEC/EN 60947-3, UL508I				
Certification	CE, TUV, CB, TUV Australia Approval				
<b>DC fuse</b>					
Rated working voltage	1000V				
Rated current	15~32A(Optional)				
Dimensions (W*H*D)	Φ10 * 38 mm				
Executive Standard	TUV, CE, CB				
<b>Environmental parameters</b>					
Operating temperature	-20°C~ +60°C				
Humidity	99%				
Altitude	2000m(2000m Above derating)				
Installation method	Wall-mounted installation				

## ► Diagram





► Technical Parameters

Model	MDJB-2/2	MDJB-4/2	MDJB-6/2
<b>Basic parameters</b>			
DC input string	2 String	4 String	6 String
DC output string	2 String	2 String	2 String
Maximum DC input voltage	1000V		
Maximum DC short-circuit current	15A~32A ( Optional )		
Maximum DC output current	32A	32A	32A
DC monitoring	Optional		
<b>Enclosure</b>			
Cabinet material	PC/ABS	PC/ABS	PC/ABS
Anti-UV	Yes	Yes	Yes
Foreign body protection level	IK10		
Collision protection level	IP65		
Dimensions (W*H*D)	Customized		
DC input port	Pg09, 2.5~4 mm <sup>2</sup>		
DC output port	Pg25, 4~6 mm <sup>2</sup>	Pg25, 4~6 mm <sup>2</sup>	Pg25, 6~10 mm <sup>2</sup>
<b>DC surge protection</b>			
Maximum working voltage	1000V		
Maximum discharge current	40 kA		
Executive Standard	EN 50539-11 Type 2		
Certification	CE, TUV, CB		
<b>DC isolated switch/DC MCB</b>			
Rated insulation pad	1000V		
Rated current	32A	32A	40A
Classification	DC-PV1/DC-PV2		
Executive Standard	IEC/EN 60947-3, UL508I		
Certification	CE, TUV, CB		
<b>DC fuse</b>			
Rated working voltage	1000 V		
Rated current	15 A~32A (Optional)		
Dimensions (W*H*D)	Φ10 * 38 mm		
Executive Standard	CE, CB, TUV		
<b>Environmental parameters</b>			
Operating temperature	-20°C ~ +60°C		
Humidity	99%		
Altitude	2000m (2000m Above derating)		
Installation method	Wall-mounted installation		

► Diagram

