



MOREDAY



MORE THEN SOLAR

MINDIAN ELECTRIC CO., LTD.

Add: Malujiao Industrial Zone, North Baixiang town, Yueqing, Zhejiang, China.

Sales call: 0577-62860666 0577-62860667

Http: www.moredaysolar.com

E-mail: info@moredaysolar.com

MDYB220222

WWW.MOREDAYSOLAR.COM

MOREDAY

MOREDAY



Company renderings, subject to actual conditions

COMPANY PROFILE

Founded in 2009, Moreday Solar is a R&D and manufacturing company integrating photovoltaics and new energy industry. The original intention of Moreday Solar is to bring more clean energy to the world and enjoy a better life.

The company's main products: photovoltaic convergence and grid-connected products, low-voltage electrical, energy storage and application products, solar power transmission and distribution products and solar system manufacturing.

The company takes solar energy sharing as its vision, technological innovation as its driving force, customer-oriented, and has obtained more than 30 national patents. Its products have passed CQC, CE, CB, TUV, ROHS and other certifications, and ISO9001 quality system certification, with more than 1,000 services. Customers, the products are exported to more than 50 countries in Europe, America, Southeast Asia, the Middle East and other regions.

We hope to work with more partners to bring solar energy to every region of the world, promote the widespread use of green and clean energy, and leave more day for the earth



President's thoughts

As we look back on 2020, I am proud of how we adapted to the challenges that came our way. We took care of our employees, provided for our customers and partners, and prospered along the way.

We are optimistic about our resilience, flexibility, and solid business processes, reflecting the best in sustainability.

Sustainability is at our core at MOREDAY and our purpose remains to advance a sustainable future for all. As part of our commitment, we released our Reports on the development of the photovoltaic field in the next five years and better sustainable approaches. As we work towards an equitable energy future for all, we are aware of the importance of mobilizing the world to reduce the carbon footprint and electrify the planet.

We will continue to work hard to deliver high quality products that produce clean energy, save our customers money, and provide them with complete energy independence. Looking forward in 2021, we are excited about the strength in worldwide demand for solar, the ramp of our solar systems and upcoming new products, the higher levels of customer service, and our ongoing digital transformation efforts.

As always, I thank our employees, customers, partners, and shareholders for their continued support.

we will continue with our mission to deliver technology solutions that make clean energy affordable, reliable and accessible to all.

To be continued, More than solar



Dedao Huang
President and CEO

Oct.20, 2021

Corporate Advantage



Enterprise honor and qualification



PATENT FOR INVENTION

UTILITY MODEL PATENT CERTIFICATE

DESIGN PATENT CERTIFICATE

TECHNOLOGY-BASED ENTERPRISE



ISO14001

ISO9001

ISO45001



CE



CQC

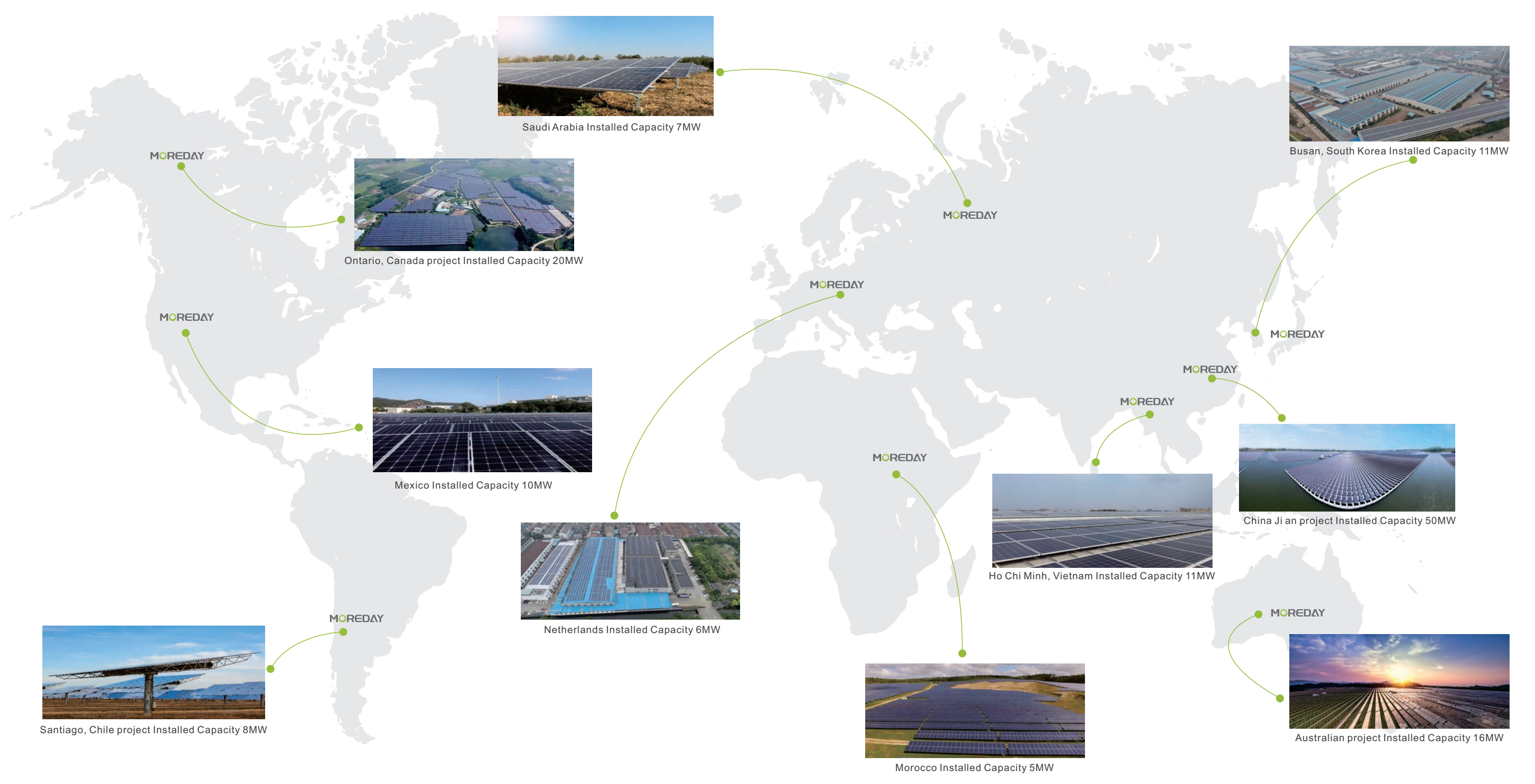
- Member of Asian Photovoltaic Industry Association
- National high-tech enterprise
- Well-known brands in China's photovoltaic industry in 2019
- Caring for employees and caring enterprises in 2020

- 2019、2020 SNEC Megawatt jade Award
- 2020 Outstanding Photovoltaic Enterprise
- Chinese technology-based SMEs
- Zhejiang Promise-keeping 3A Enterprise

MOREDAY

Corporate partner





50+ Exporting Countries
5GW+ Cumulative shipments
30+ Patents
12yrs Industry experience
1000+ Global customers

► Overview

The MDXLD-4/1 6/1 12/1 lightning protection combiner box combines the DC input and sink of the 4/6/12-channel photovoltaic module string into one output, each line is equipped with a fuse, and the output is equipped with a lightning arrester and a circuit breaker, which greatly simplifies the DC power distribution cabinet and the reverse Input wiring for the transformer. It provides lightning protection, short circuit protection and grounding protection. The intelligent lightning protection combiner box is equipped with a flow monitoring unit, which can monitor the current input by each photovoltaic cell string, the summed output voltage, the temperature inside the box, the state of the lightning arrester, and the state of the circuit breaker. It can be customized according to user requirements.



► Features

High reliability

- Use PV fuses.
- Use PV surge protectors.
- Use PV DC breaker or rotary isolation switch.
- Technical Specifications for Photovoltaic Confluence Equipment" CGC/GF 037:2014.

Strong adaptability

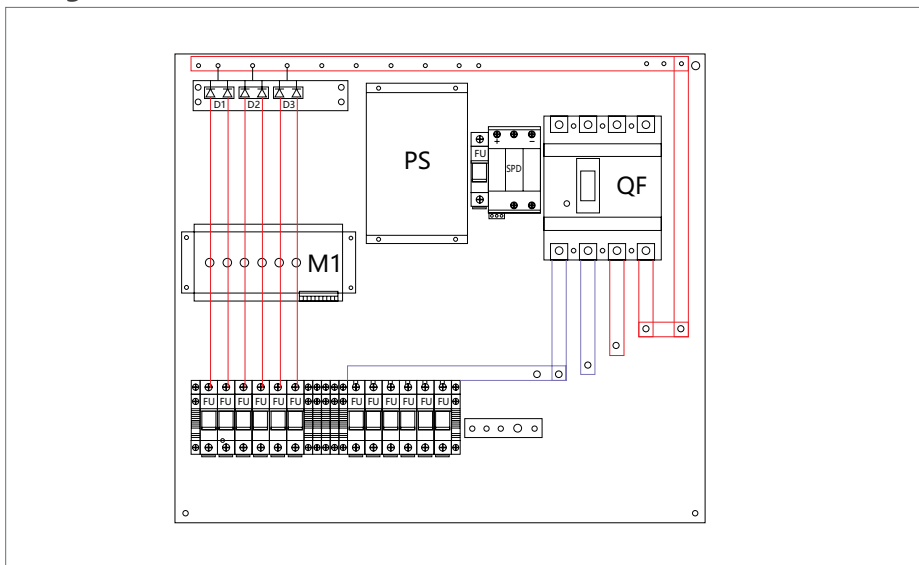
- Ip65 protection, waterproof, dust proof and UV resistant.
- Strict high and low temperature test, suitable for a wide area.
- The installation is simple, the system wiring is simplified, and the wiring is convenient.
- The box is made of metal materials such as cold rolled steel plate.

Flexible configuration

- Applicable to monocrystalline silicon, polycrystalline silicon, thin film photovoltaic modules, can modify the current level of photovoltaic fuses, circuit breakers, rotary isolating switches.



► Diagram



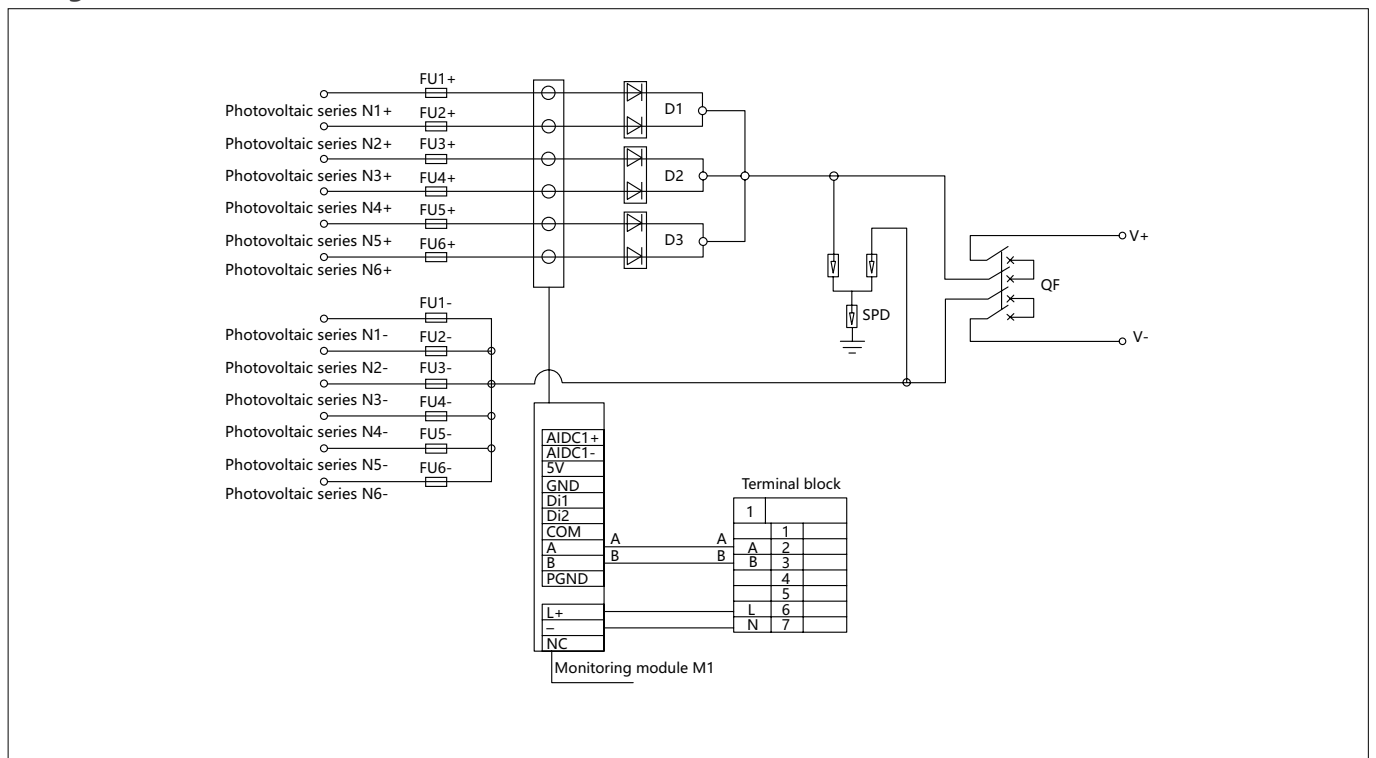
► Technical Parameters

Name	MDXLD-4/1 6/1 12/1
Electrical parameters	
System maximum DC voltage	1500
Maximum input current per channel	15A
Maximum number of input channels	4/6/12
Maximum output switching current	100A
Number of inverter MPPT	N
Number of output channels	1
Lightning protection	
Test category	II pole protection
Nominal discharge current	20kA
Maximum discharge current	40kA
Voltage protection level	3.8kV
Maximum continuous operating voltage	1500V
Number of poles	3P
Structural features	Pluggable module

► Technical Parameters

Name	MDXLD-4/1 6/1 12/1
System	
Protection level	IP65
Output switch	DC circuit breaker (standard) / DC rotary isolating switch (optional)
SMC4 waterproof connector	Standard
Photovoltaic DC fuse	Standard
Photovoltaic DC fuse	Standard
Monitoring module	Optional
Anti-reverse diode	Optional
Box material	Metal
Installation method	Wall-mounted
Operating temperature	-25°C~+ 55°C
Altitude	2000 meter
Allow relative humidity	0~95%, no condensation

► Diagram



► Overview

The MDXLD-PV16/1 lightning protection combiner box combines the DC input and sink of the 16-channel photovoltaic module string into one output, each line is equipped with a fuse, and the output is equipped with a lightning arrester and a circuit breaker, which greatly simplifies the DC power distribution cabinet and the reverse Input wiring for the transformer. It provides lightning protection, short circuit protection and grounding protection. The intelligent lightning protection combiner box is equipped with a flow monitoring unit, which can monitor the current input by each photovoltaic cell string, the summed output voltage, the temperature inside the box, the state of the lightning arrester, and the state of the circuit breaker. It can be customized according to user requirements.



► Features

High reliability

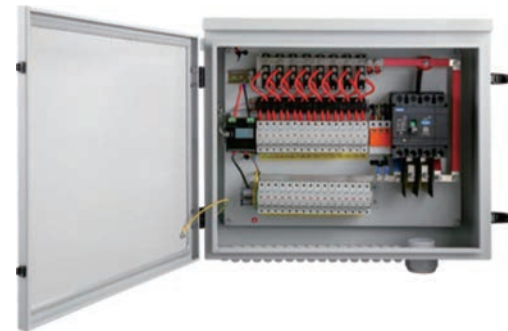
- Use PV fuses.
- Use PV surge protectors.
- Use PV DC breaker or rotary isolation switch.
- Technical Specifications for Photovoltaic Confluence Equipment" CGC/GF 037:2014.

Strong adaptability

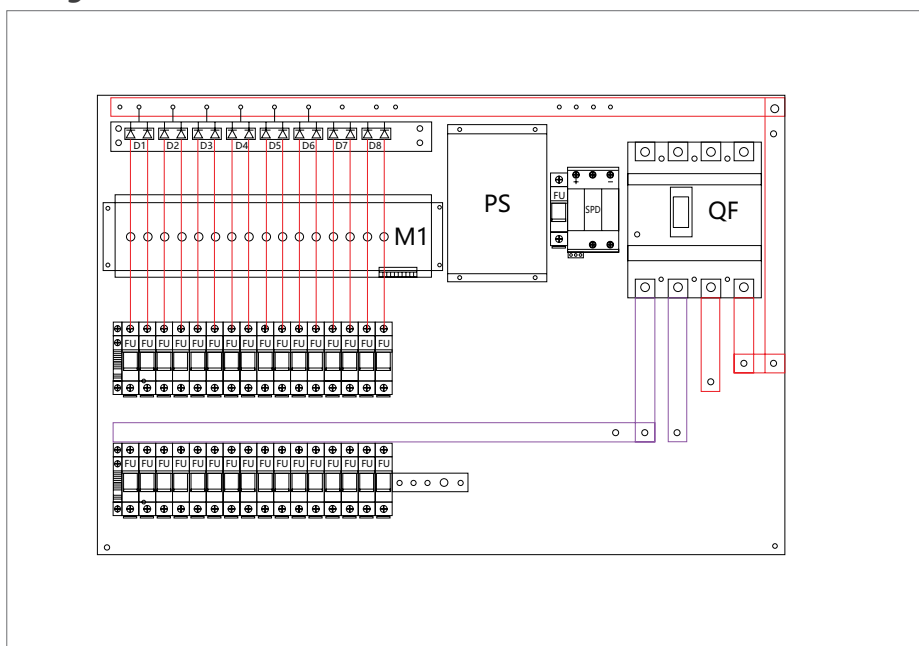
- Ip65 protection, waterproof, dust proof and UV resistant.
- Strict high and low temperature test, suitable for a wide area.
- The installation is simple, the system wiring is simplified, and the wiring is convenient.
- The box is made of metal materials such as cold rolled steel plate.

Flexible configuration

- Applicable to monocrystalline silicon, polycrystalline silicon, thin film photovoltaic modules,
- can modify the current level of photovoltaic fuses, circuit breakers, rotary isolating switches.



► Diagram



► Technical Parameters

Name	MDXLD-PV16/1
Electrical parameters	
System maximum DC voltage	1500
Maximum input current per channel	15A
Maximum number of input channels	16
Maximum output switching current	200A
Number of inverter MPPT	N
Number of output channels	1
Lightning protection	
Test category	II pole protection
Nominal discharge current	20kA
Maximum discharge current	40kA
Voltage protection level	3.8kV
Maximum continuous operating voltage	1500V
Number of poles	3P
Structural features	Pluggable module
System	
Protection level	IP65
Output switch	DC circuit breaker (standard) / DC rotary isolating switch (optional)
SMC4 waterproof connector	Standard
Photovoltaic DC fuse	Standard
Photovoltaic DC surge protector	Standard
Monitoring module	Optional
Anti-reverse diode	Optional
Box material	Metal
Installation method	Wall-mounted
Operating temperature	-25°C~+ 55°C
Altitude	2000 meter
Allow relative humidity	0~95%, no condensation

► Diagram

